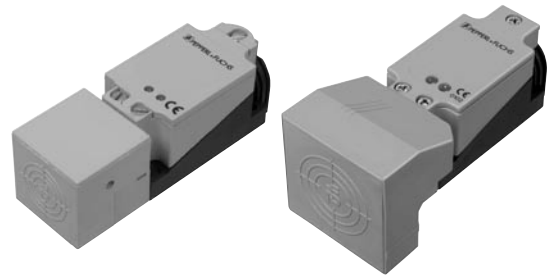


Limit Switch Style Inductive Sensors

- 15 to 40 mm sensing ranges
- Limit switch style housing
- LED power and target indication
- Terminal connection wiring



See pages 865-872 for accessories



Technical Specifications

SUPPLY VOLTAGE	20-250 VAC
SUPPLY FREQUENCY	45-65 Hz
LOAD CURRENT (I _L)	500 mA max.
LEAKAGE CURRENT (OFF-STATE)	≤ 10 μA
OUTPUT	Normally open & normally closed
<i>Suffix W4</i>	
VOLTAGE DROP AT I _L (MAX.)	≤ 3 V
INRUSH CURRENT	≤ 4 A/20 ms
HYSTERESIS	3-15% (5% typical)
SHORT CIRCUIT AND OVERLOAD PROTECTION	No
REVERSE POLARITY PROTECTED	No
LED INDICATION	See dimension drawings
SENSING FACE MATERIAL	PBT
STANDARDS	EN 60947-5-2
ENVIRONMENTAL PROTECTION	<i>NBN/923 models</i> IP67 <i>NJ models</i> IP68
AMBIENT TEMPERATURE	-13 °F to +158 °F (-25 °C to +70 °C)
APPROVALS	CE, UL, FM, SP

Inductive Surface Mount

4-Wire AC

Terminal Connection Models

Model Number	Range (mm)	Mounting	Electrical Output	Switching Frequency	Housing Material	Electrical Connection	Dwg. No.
NJ15+U4+W4	15	Flush	N.O. & N.C.	25 Hz	PBT w/metal base	Terminal housing	1
NJ20+U4+W4	20	Nonflush	N.O. & N.C.	20 Hz	PBT w/metal base	Terminal housing	1
NJ30+U4+W4	30	Nonflush	N.O. & N.C.	25 Hz	PBT w/metal base	Terminal housing	1
NJ40+U4+W4	40	Nonflush	N.O. & N.C.	25 Hz	PBT w/metal base	Terminal housing	2

Consult factory for other connection options.

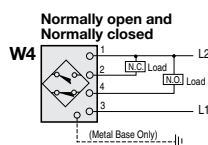
- ⚡ Stocked item
- Typical delivery 4 weeks or less
- Consult factory for all other models

Wiring Diagrams

4-Wire AC

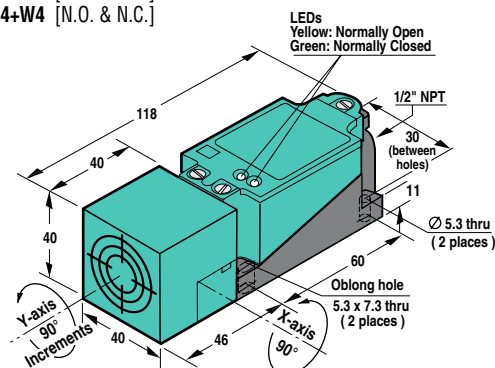


Terminal Connection



Drawing No. 1

NJ15+U4+W4 [N.O. & N.C.]
 NJ20+U4+W4 [N.O. & N.C.]
 NJ30+U4+W4 [N.O. & N.C.]



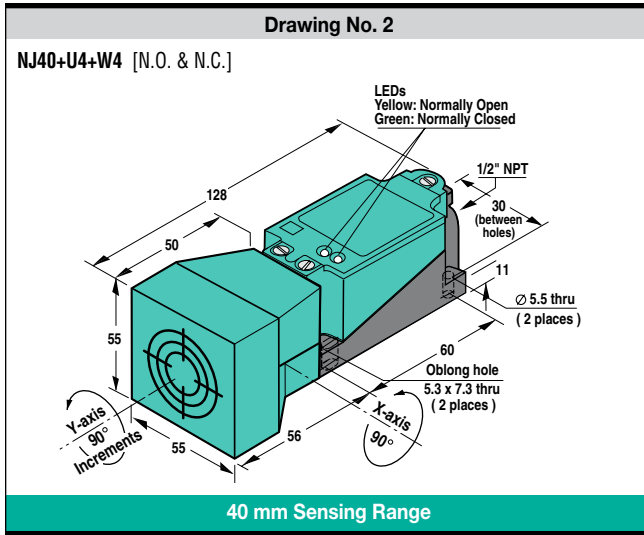
15, 20, and 30 mm Sensing Range

CONTINUED

Limit Switch Style

Inductive Surface Mount

4-Wire AC



Recommended Accessories



MH4-2681 UNI



MH4-2057

Mounting Brackets

Model	Description
MH4-2681 UNI	Adjustable Unistrut® bracket
MH4-2057	Adjustable slide bracket

See pages 865-872 for complete accessory listing.