

★ *Snap-tite* / **GreenTop**®



***Above
Ground
Storage
Tank***



ISO -9001 Certified

TECHNICAL AND DIMENSIONAL INFORMATION

2-WAY NORMALLY CLOSED, PILOT OPERATED PISTON, FREE PISTON OR HUNG PISTON VALVES

3/4", 1", 1-1/2", 2", 3" C_v up to 93.6
Pressure range, 0 to 225 psi (0 to 16 bar)

GENERAL DESCRIPTION

These bronze, stainless steel or carbon steel bodied valves are designed for heavy duty applications. They provide ruggedness and maximized flows that will meet the most demanding applications requiring reliability and a long, trouble-free life. The typical application is above ground storage tanks.

These two-way piston valves are available in two types of construction – hung piston and free piston. Free piston valves require a 1.5 psi minimum pressure drop across the valve to hold it in the open position while energized. Hung piston valves open when energized with no differential pressure necessary for their operation.

OPERATING CONDITIONS

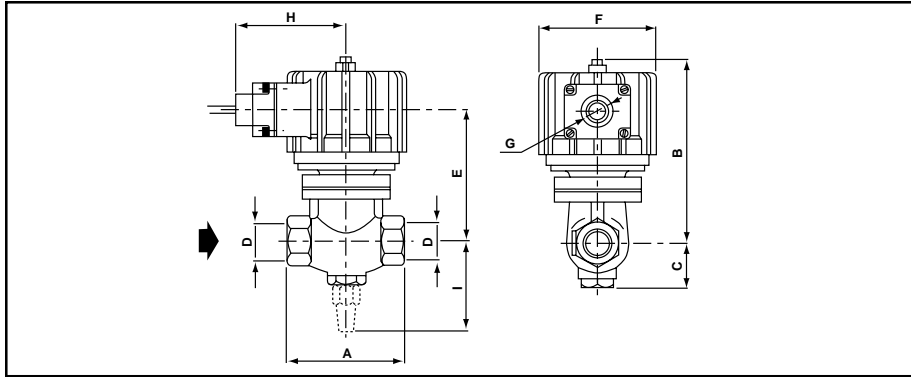
Media: Liquid petroleum based fuels
Maximum Operating Pressure Differential: To 225 psi (16 bar) - see catalog listings
Hung piston 0-105 psi (0-7 bar), Free piston 1.5 - 225 psi (.1-16 bar)
Elastomers and Temperatures: A - Buna N -40°F to 180°F, V - Viton -15°F to 350°F

MECHANICAL CHARACTERISTICS

Porting Pipe Size: 3/4", 1", 1-1/2", 2", 3" NPT; (BSP available).
Mounting: Valve must be mounted with solenoid vertical and upright.
Manual Operator: Optional. Add suffix "M" to catalog number.
Valve Parts in Contact with Media: Body - Forged bronze (B).
On request 304 SS (S), 316 SS (I)
Seals and Diaphragms - Buna N (A), Viton (V)
Internal Metal Parts - 300 and 400 Stainless Steel
Filtration: 140 Micron recommended
Agency Listing: CSA Certified (consult factory for further details)

ELECTRICAL CHARACTERISTICS

Standard Voltages: 12, 24, 120, 240, 480 volts AC, 50/60 Hz; 6, 12, 120 volts DC
(Other voltages available on request).
Coil: Continuous duty Class H Standard.
Lead Length: 18" (457)
Nominal Ambient Temperature Range: 20°F to 104°F (-6°C to 40°C).
Higher ranges available on request.
Nominal Wattage: 30 watts AC, 48 Watts DC continuous duty. 3" 48 Watts (AC only)
Solenoid Enclosures: Two types available
General Purpose: Metal housing: 1/2" conduit connector (NEMA 1)
Hazardous Location: Explosion-proof coil enclosure CSA Certified for Class 1, Groups C & D and Class II, Groups E, F & G locations. To order, add prefix "Z" to catalog number.



! WARNING !

FAILURE OR IMPROPER SELECTION OR IMPROPER USE OF THE PRODUCTS AND/OR SYSTEMS DESCRIBED HEREIN OR RELATED ITEMS CAN CAUSE DEATH, PERSONAL INJURY AND/OR PROPERTY DAMAGE.

This document and other information from Snap-tite, Inc., its subsidiaries and authorized distributors, provides product and/or system options for further investigation by users having technical expertise. It is important that you analyze all aspects of your application and review the information concerning the product or system in the current product catalog. Due to the variety of operation conditions and applications for these products or systems, the user, through its own analysis and testing, is solely responsible for making the final selection of the products and systems and assuring that all performance, safety and warning requirements of the application are met.

The products described herein, including without limitation, product features, specifications, designs, availability and pricing, are subject to change by Snap-tite, Inc. and its subsidiaries at any time without notice.

GENERAL DIMENSIONS – Inches (mm)

A	B	C	D	E	F	G	H	I	Weight
4.0 (101.60)	5.90 (149.86)	1.50 (38.10)	3/4" NPT	3.50 (88.90)	3.82 (97.03)	1/2" conduit	3.74 (95.00)	3.0 (76.20)	9.25 lb / 5 kg
4.8 (121.92)	6.25 (158.75)	1.75 (44.45)	1" NPT	3.70 (93.98)	3.82 (97.03)	1/2" conduit	3.74 (95.00)	3.3 (83.82)	11.00 lb / 5 kg
5.4 (137.16)	6.90 (175.26)	2.00 (50.80)	1-1/2" NPT	4.40 (111.76)	3.82 (97.03)	1/2" conduit	3.74 (95.00)	3.8 (96.52)	14.50 lb / 10 kg
5.9 (149.86)	7.00 (177.80)	2.25 (57.15)	2" NPT	4.60 (116.84)	3.82 (97.03)	1/2" conduit	3.74 (95.00)	4.0 (101.60)	16.50 lb / 10 kg
8.8 (223.52)	9.50 (241.30)	4.50 (114.30)	3" NPT	7.75 (196.85)	3.82 (97.03)	1/2" conduit	3.74 (95.00)	6.5 (165.10)	41.00 lb / 20 kg

For "Z" coil enclosure add 4.5 lb (2.04kg)

NUMBERING SYSTEM KEY – SAMPLE NUMBER

Z	6	2	14	B	B	A	6			24VDC
Housing	Product	Type of Valve	Series	Body Material	Piston Material	Seals	Port Size	Operation	Options	Voltage
No letter - Metal general purpose NEMA 1 Z - Watertight - explosion proof NEMA 3, 4, 7, 9 (Group C & D)	6 - Greentop	2 - 2-way		B - Brass I - 316 Stainless Steel S - 304 Stainless Steel A - Carbon Steel	B - Bronze I - 316 Stainless Steel S - 304 Stainless Steel	A - Buna N V - Viton T - Teflon N - Neoprene E - Ethylene Propylene	6 - 3/4" 8 - 1" B - 1-1/2" E - 2" G - 3"	A - Hung Piston No Letter Free Piston	M - Manual Operator	Standard Voltages



Solenoid Valve Division
6424 West Ridge Road
Erie, Pennsylvania 16506-1023 USA
Ph: 814-838-3190 Fax: 814-833-5439
email: sv_sales@snap-tite.com
www.snap-tite.com



Industrial Estate
Whitmill-Wexford
Republic of Ireland
Ph: 353-53-41566 Fax: 353-53-41582
email: snaptite@snap-tite.iol.ie
www.snap-tite.com