

# General Accessories

## Connectors

### Type CONB5...


**CARLO GAVAZZI**


- Straight or 90° connectors
- M8 version
- 3 or 4 wire
- LEDs in transparent housing
- IP 67
- UL approved

### Product Description

M8 connection cables for 3 wires or 4 wires. Come in straight or angled versions. Some versions are also with LED.

UL approved high-quality connection cable either in PVC jacket or in the more durable PUR jacket.

### Ordering Key

**CONB53NF-APT2P**

**CONB** \_\_\_\_\_  
**5 = M8 DC** \_\_\_\_\_  
**3 = 3 Wire (BN, BU, BK)** \_\_\_\_\_  
**4 = 4 wire (BN, BU, BK, WH)** \_\_\_\_\_  
**N = Not shielded** \_\_\_\_\_  
**F = Female** \_\_\_\_\_  
**A = Angled** \_\_\_\_\_  
**S = Straight** \_\_\_\_\_  
**P = PNP** \_\_\_\_\_  
**N = NPN** \_\_\_\_\_  
**T = Transparent housing** \_\_\_\_\_  
**2 = 2 m** \_\_\_\_\_  
**5 = 5 m** \_\_\_\_\_  
**15 = 15 m** \_\_\_\_\_  
**Blank = PVC cable** \_\_\_\_\_  
**P = PUR** \_\_\_\_\_

### Type Selection

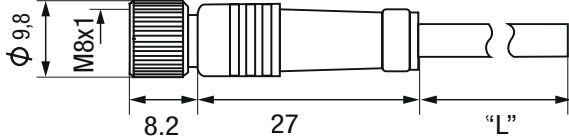
Plug type	Cable length	Ordering number	Ordering number	Ordering number	Ordering number
		PVC	PUR	PVC LED NPN	PVC LED PNP
3-Wire Angled	2 m	CONB53NF-A2	CONB53NF-A2P	CONB53NF-ANT2	CONB53NF-APT2
	5 m	CONB53NF-A5	CONB53NF-A5P	CONB53NF-ANT5	CONB53NF-APT5
	10 m	CONB53NF-A10	CONB53NF-A10P		
	15 m	CONB53NF-A15	CONB53NF-A15P		
3-Wire Straight	2 m	CONB53NF-S2	CONB53NF-S2P		
	5 m	CONB53NF-S5	CONB53NF-S5P		
	10 m	CONB53NF-S10	CONB53NF-S10P		
	15 m	CONB53NF-S15	CONB53NF-S15P		
4-Wire Angled	2 m	CONB54NF-A2	CONB54NF-A2P		
	5 m	CONB54NF-A5	CONB54NF-A5P		
	10 m	CONB54NF-A10	CONB54NF-A10P		
	15 m	CONB54NF-A15	CONB54NF-A15P		
4-Wire Straight	2 m	CONB54NF-S2	CONB54NF-S2P		
	5 m	CONB54NF-S5	CONB54NF-S5P		
	10 m	CONB54NF-S10	CONB54NF-S10P		
	15 m	CONB54NF-S15	CONB54NF-S15P		

## Specifications

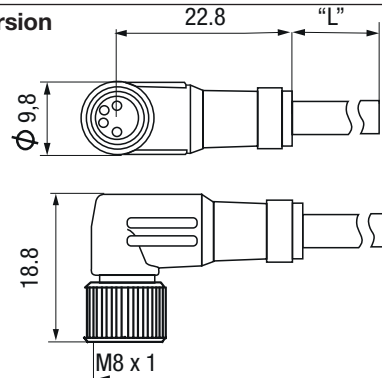
<b>Rated operating voltage</b> 3 & 4 wire LED versions	60VAC/DC 30 VDC	<b>Moulded body material</b>	TPU translucent
<b>Rated current</b>	≤4A	<b>O-ring sealing</b>	FKM
<b>Contact resistance</b>	≤5mΩ	<b>Coupling screw</b>	CuZn, nickel plated
<b>Rated impulse voltage</b>	1.5KV	<b>Tightening torque</b>	0.5 Nm
<b>Insulation resistance</b>	>10 <sup>9</sup> Ω	<b>Degree of protection</b>	IP67
<b>Cable outer diameter</b> PUR PVC	4.3mm 5.0mm	<b>Pollution degree</b>	3
<b>Wire cross section</b>	3 wires: 0,34mm <sup>2</sup> 4 wires: 0,25mm <sup>2</sup>	<b>Pin IEC standard</b>	IEC61076-2-104
<b>Cable</b>	PVC or PUR, black	<b>Temperature</b>	-40° to 90°C
<b>Contact material</b>	CuSn	<b>Weight*</b> 2m version 5m version 10m version 15m version	approx 100g approx 200g approx 300g approx 500g *varies depending on model
<b>Contact plating</b>	pre-nickelled and gold plated	<b>LED colour</b> Power Output	green yellow
<b>Contact bearer material</b>	PA/TPU orange		

## Dimensions

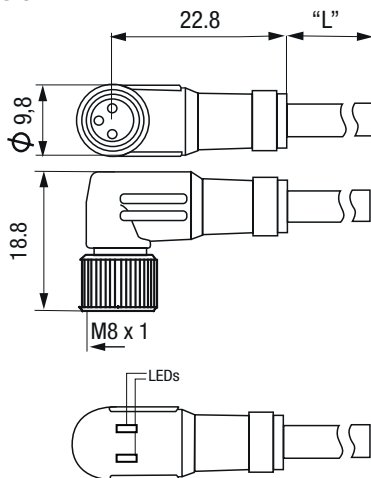
Straight version



Angled version

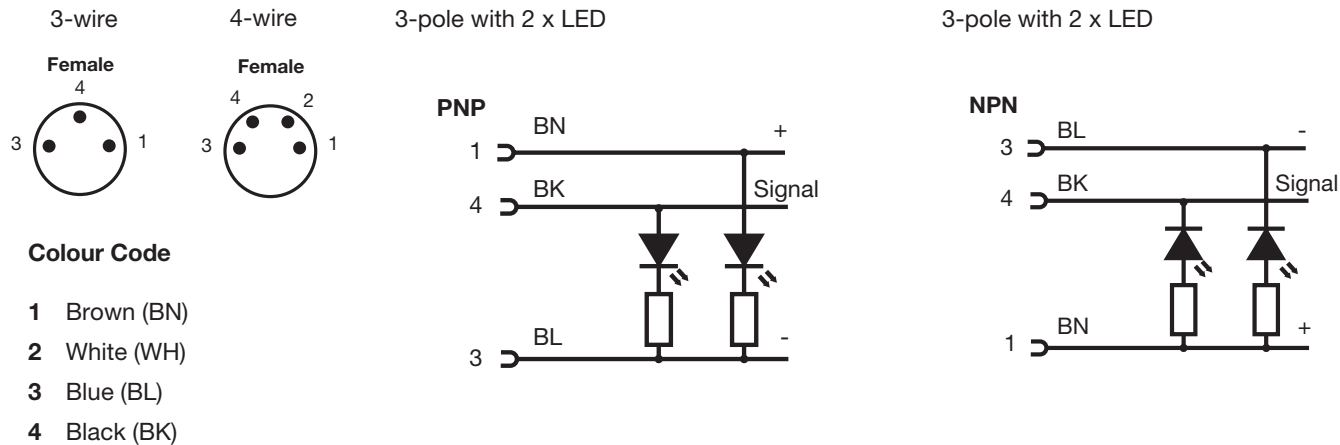


LED version





## Contact layout



## Derating curve (DIN EN 60512-5-2)

