

Ultrasonic Diffuse, Analogue and Digital Output Types UA18CAD.....TI


CARLO GAVAZZI


- Cylindrical M18 PBT housing
- Sensing distance: 50-2200 mm
- Power supply: 15 to 30 VDC
- Outputs: 0-10 VDC or 4-20 mA and one switching output NPN or PNP, NO or NC.
- Linearity error 1%
- Repeatability 0.5%
- Beam angle. $\pm 7^\circ$ or $\pm 8^\circ$
- Protection: Short-circuit, reverse polarity and overvoltage
- Protection degree IP 67
- 2 m cable or M12 plug

Product Description

A family of diffuse ultrasonic sensors with sensing range from 50-400 mm, 100-900 mm and 200-2200 with a resolution as low as 1.0 mm. The sensor contains both an analogue and a digital output. The output is either 0-10V or 4-20 mA and the digital output NPN or PNP, NO or NC which forms a win-

dow detection. The sensor is the ideal choice for distance measurement, level measurement, diameter measurement or loop control. Due to use of microprocessor control the digital filtering makes the sensor immune to most electromagnetic interferences.

Ordering Key

UA18CAD04NGM1TI

Ultrasonic sensor	_____
Housing style	_____
Housing size	_____
Housing material	_____
Housing length	_____
Detection principle	_____
Sensing distance	_____
Output type	_____
Output configuration	_____
Connection	_____
Teach-in	_____

Type Selection

Housing diameter	Conne- ction	Rated operating dist. (S _n)	Analog Output	Digital output NPN/PNP	Ordering no.
M18	Plug M12	50-400 mm	4-20 mA	NPN	UA 18 CAD 04 NG M1 TI
M18	Cable	50-400 mm	4-20 mA	NPN	UA 18 CAD 04 NG TI
M18	Plug M12	50-400 mm	0-10 V	NPN	UA 18 CAD 04 NK M1 TI
M18	Cable	50-400 mm	0-10 V	NPN	UA 18 CAD 04 NK TI
M18	Plug M12	50-400 mm	4-20 mA	PNP	UA 18 CAD 04 PG M1 TI
M18	Cable	50-400 mm	4-20 mA	PNP	UA 18 CAD 04 PG TI
M18	Plug M12	50-400 mm	0-10 V	PNP	UA 18 CAD 04 PK M1 TI
M18	Cable	50-400 mm	0-10 V	PNP	UA 18 CAD 04 PK TI
M18	Plug M12	100-900 mm	4-20 mA	NPN	UA 18 CAD 09 NG M1 TI
M18	Cable	100-900 mm	4-20 mA	NPN	UA 18 CAD 09 NG TI
M18	Plug M12	100-900 mm	0-10 V	NPN	UA 18 CAD 09 NK M1 TI
M18	Cable	100-900 mm	0-10 V	NPN	UA 18 CAD 09 NK TI
M18	Plug M12	100-900 mm	4-20 mA	PNP	UA 18 CAD 09 PG M1 TI
M18	Cable	100-900 mm	4-20 mA	PNP	UA 18 CAD 09 PG TI
M18	Plug M12	100-900 mm	0-10 V	PNP	UA 18 CAD 09 PK M1 TI
M18	Cable	100-900 mm	0-10 V	PNP	UA 18 CAD 09 PK TI
M18	Plug M12	200-2200 mm	4-20 mA	NPN	UA 18 CAD 22 NG M1 TI
M18	Cable	200-2200 mm	4-20 mA	NPN	UA 18 CAD 22 NG TI
M18	Plug M12	200-2200 mm	0-10 V	NPN	UA 18 CAD 22 NK M1 TI
M18	Cable	200-2200 mm	0-10 V	NPN	UA 18 CAD 22 NK TI
M18	Plug M12	200-2200 mm	4-20 mA	PNP	UA 18 CAD 22 PG M1 TI
M18	Cable	200-2200 mm	4-20 mA	PNP	UA 18 CAD 22 PG TI
M18	Plug M12	200-2200 mm	0-10 V	PNP	UA 18 CAD 22 PK M1 TI
M18	Cable	200-2200 mm	0-10 V	PNP	UA 18 CAD 22 PK TI

UA18CAD..



Specifications

Rated operating distance (S_n)	Reference target: 1 mm metal rolled finish. CAD04: 100 x 100 mm CAD09 and CAD22: 200 x 200 mm UA18CAD04 UA18CAD09 UA18CAD22	50 - 400 mm 100 - 900 mm 200 - 2200 mm	Operating frequency digital output (f) UA18CAD04... UA18CAD09... UA18CAD22...	≤ 10 Hz ≤ 4 Hz ≤ 1 Hz
Blind zone UA18CAD04... UA18CAD09... UA18CAD22...	≤ 50 mm ≤ 100 mm ≤ 200 mm		Response time OFF-ON digital output (t_{ON}) UA18CAD04... UA18CAD09... UA18CAD22...	≤ 50 mS ≤ 125 mS ≤ 500 mS
Repeatability	0.5%		Response time ON-OFF digital output (t_{OFF}) UA18CAD04... UA18CAD09... UA18CAD22...	≤ 50 mS ≤ 125 mS ≤ 500 mS
Linear Accuracy	1%		Response time analog output	≤ 500 mS
Beam angle UA18CAD04... UA18CAD09... UA18CAD22...	±8° ±7° ±7°		Power ON delay	≤ 500 mS
Sensitivity Push-button Resolution	P1 (farthest setpoint) P2 (nearest setpoint) 1 mm		Output function, open collector By sensor type	NPN or PNP
Temperature drift	0.1%/°C @ -20° to +60° C		Output switching function	One open collector transistor and one analogue output to be configured as: Window function with N.O or N.C. output. Analogue output with positive or negative slope.
Temperature compensation	Yes		Indication Output ON	Yellow LED
Hysteresis (H)	Min. 1%		Environment Installation category Pollution degree Degree of protection	III (IEC 60664/60664A; 60947-1) 3 (IEC 60664/60664A; 60947-1) IP67 (IEC 60529; 60947-1)
Rated operational voltage (U_B)	15 to 30 VDC (ripple included)		Ambient temperature Operating Storage	-20° to +60°C (-4° to +140°F) -35° to +70°C (-31° to +158°F)
Ripple (U_{pp})	≤ 5%		Vibration	10 to 55 Hz, 1.0 mm/6g (IEC/EN 60068-2-6)
No-load supply current (I_o) UA18CAD04... UA18CAD09... UA18CAD22...	45 mA @ U _B max 45 mA @ U _B max 50 mA @ U _B max		Shock	30 g / 11 mS, 3 directions (IEC/EN 60068-2-27)
Output current continuous digital output (I_o) Max. load capacity 100 nF UL508 specification	500 mA 100 mA		Rated insulation voltage	< 500 VAC (rms)
Output current short-time digital output (I) Max. load capacity 100 nF UL508 specification	500 mA 100 mA		Housing Material body Material front Material back, plug Material back, cable Material trimmer Sealing around trimmer Material sealing front UA18CAD04... UA18CAD09... UA18CAD22...	PBT Epoxy-glass resin Grilamid Grilamid POM TPE TPE TPE PBT
Minimum operational current digital output (I_m)	0.5 mA		Connection Cable Plug	PVC, grey, 2 m, 4 x 0.32 mm ² , Ø = 4.7 mm M12, 4-pin (CON. 14-series)
OFF-state current digital output (I_o)	10 µA		Tightening torque	≤ 1 Nm
Voltage drop digital output (U_d)	≤ 2.2 VDC @ I _g max.			
Protection digital output	Short-circuit, overvoltage and reverse polarity			
Output analog output NG.. or PG.. types NK.. or PK.. types	4 to 20 mA 0 to 10 VDC			
Load 4 to 20 mA 0 to 10 VDC	max. 500 Ω min. 3 kΩ			
Carrier frequency UA18CAD04... UA18CAD09... UA18CAD22...	400 kHz 300 kHz 200 kHz			

UA18CAD..

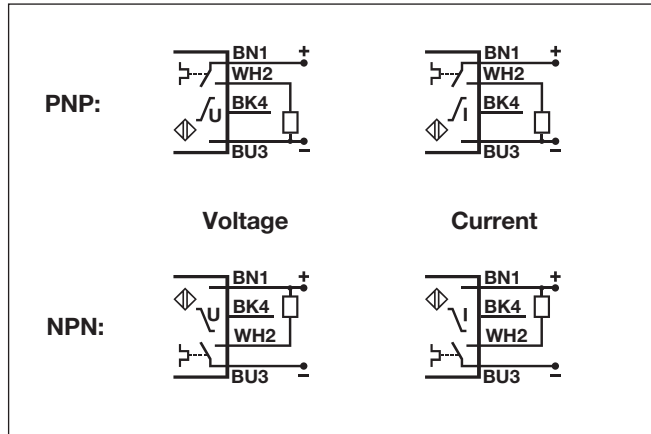


Specifications (cont.)

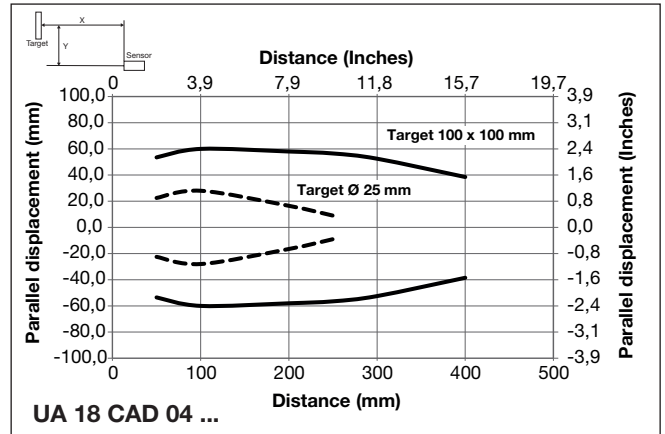
Weight	
Cable version	98 g
Plug version	35 g

CE-marking	Yes
Approvals	cULus (UL508)

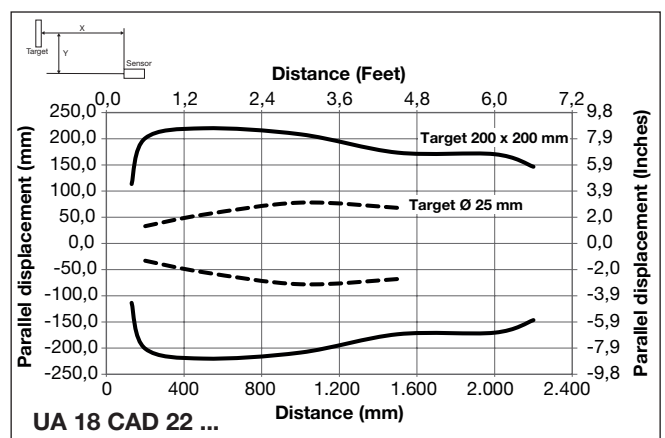
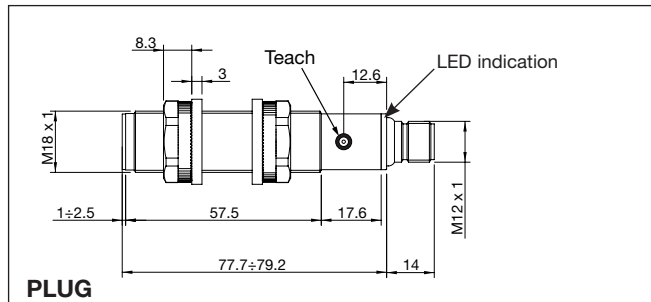
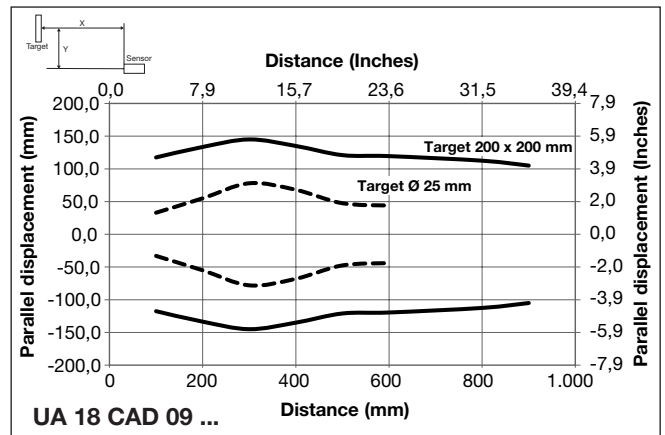
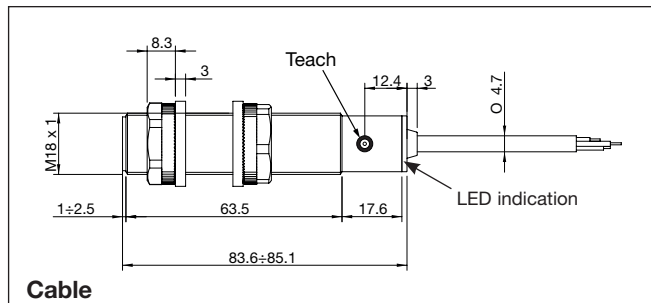
Wiring Diagram



Detection Range



Dimensions





Programming setup

General set up of sensing point P1 (longest distance) and P2 (shortest distance) independently of the sensor type or function.

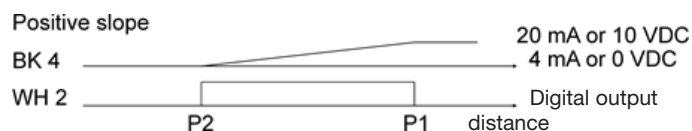
- 1) Mount the sensor in the selected application.
- 2) Place a target in front of the sensor at the maximum required distance (P1), then press shortly on the teach-button. The yellow LED switches Off and then On again after a maximum of 2 seconds. Now, the distance (P1) is saved in the sensor, and the target can be moved. I)
- 3) Place the target at the minimum distance requested (P2), then press shortly on the teach-button. The yellow LED turns Off and then flashes 5 times. Now, the distance (P2) is saved in the sensor and the target can be moved. II)

I) P1 can be set to maximum exceeding the family specification for the sensor by removing the target in front of the sensor. Push and hold the teach-button more than one second and the sensing distance is set at a unique distance for this sensor only. Do not use this function for an analogue output.

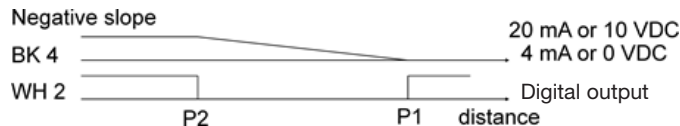
II) The second switch point can be set to minimum by setting the target within the blind zone close to the sensor head or by covering the sensor head with your hand while teaching P2.

Sensors with 1 digital output and one analogue output UA..CAD..PG/PK/NG or NK types

- 1) The factory settings are Normally Open (N.O.) for the digital output and positive slope for the analogue output.



- 2) To reverse the slope to negative and reverse the N.O. output to N.C., push the teach-button for 8 seconds (12 for UC18CAD22..) until the yellow LED flashes fast. Release the teach-button and the LED will flash 5 times to acknowledge the change in function.



- 3) To switch back to positive slope or N.O. output, repeat step 2.

Installation Hints

<p>To avoid interference from inductive voltage/current peaks, separate the prox. switch power cables from any other power cables, e.g. motor, contactor or solenoid cables</p>	<p>Relief of cable strain</p> <p>Incorrect</p> <p>Correct</p> <p>The cable should not be pulled</p>	<p>Protection of the sensing face</p> <p>A proximity switch should not serve as mechanical stop</p>	<p>Switch mounted on mobile carrier</p> <p>Any repetitive flexing of the cable should be avoided</p>
---	---	---	--

Delivery Contents

- Ultrasonic sensor: UA18CAD....
- Installation instruction
- Mounting:
 - 2 x M18 Nuts
 - 2 x rubber washers
- **Packaging:** Carton box 35 x 107 x 173 mm