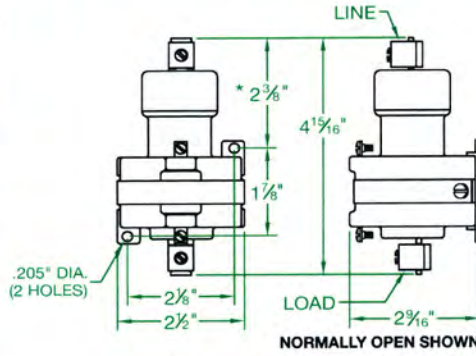




NORMALLY OPEN UNIT



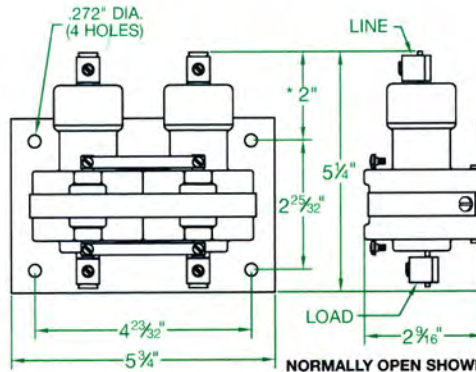
NORMALLY CLOSED UNIT



* THIS DIMENSION IS 1 1/8\"/>



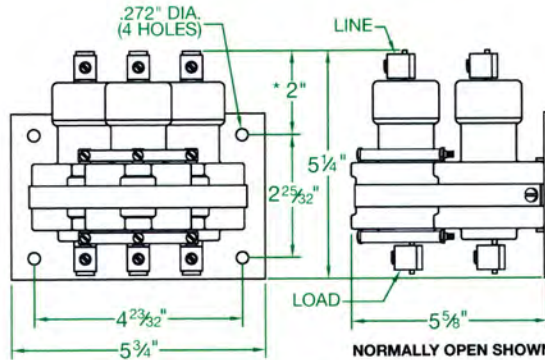
TWO POLE - NORMALLY OPEN



* THIS DIMENSION IS 1/8\"/>



THREE POLE - NORMALLY OPEN



* THIS DIMENSION IS 1/8\"/>

TYPICAL SPECIFICATIONS

- ON NORMALLY OPEN UNITS:
OPERATE TIME: 50 milliseconds
RELEASE TIME: 80 milliseconds
- ON NORMALLY CLOSED UNITS:
OPERATE TIME: 45 milliseconds
RELEASE TIME: 60 milliseconds
- CONTACT RESISTANCE:
.001 ohm*
- DIELECTRIC WITHSTAND:
2500 VAC RMS
- LONGEVITY:
MILLIONS OF CYCLES
- TEMPERATURE RANGE:
-35°C TO 85°C
- COIL TERMINALS:
#6 BINDING HEAD SCREWS
- LOAD TERMINALS:
PRESSURE CONNECTORS.
STANDARD ACCEPTS A.W.G.
#2 to #8.
FOR A.W.G. #1 to #8,
ADD SUFFIX -5 to CATALOG
NUMBER (i.e. 100NO-120A-5)
- RATINGS:
Derate over 240 VAC Res.
See Page 13 for Coil Data.
See Page 14 for Ratings.
- TO ORDER SEE PAGE 4.

S100NO - SERIES

AVAILABLE IN 1, 2 & 3 POLES
RATINGS: 100 AMPS @ 480 VAC
SEE PAGE 14 FOR RATINGS

Made in the USA

