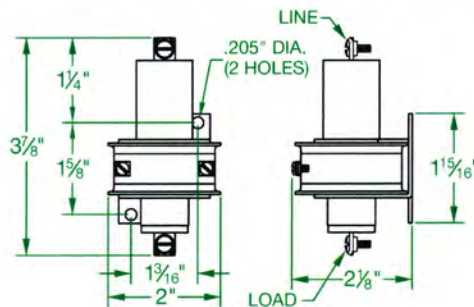


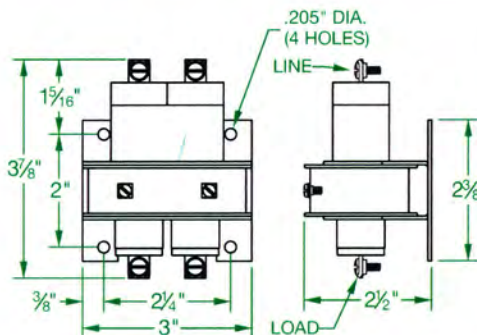
30-AMP NORMALLY OPEN CONTACTORS



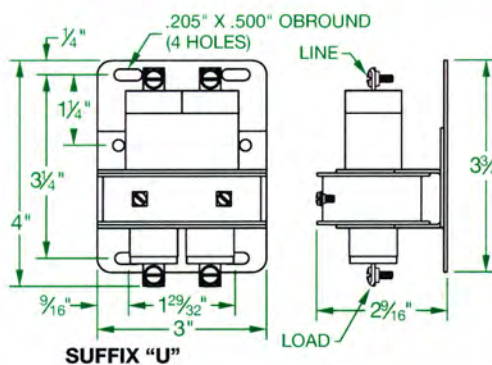
SINGLE POLE



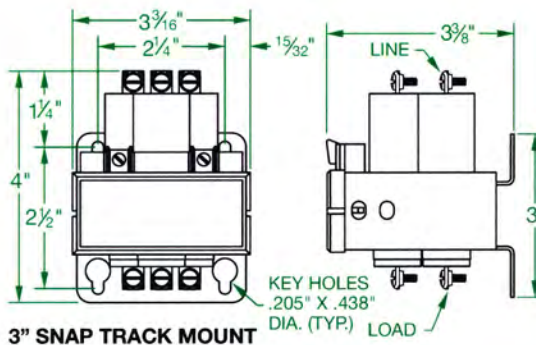
TWO POLE STANDARD MOUNT



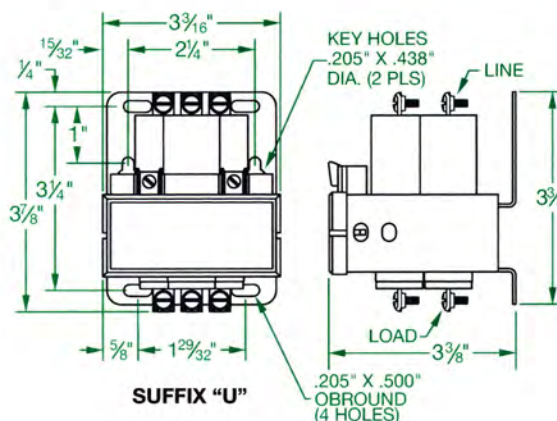
TWO POLE UNIVERSAL MOUNT



THREE POLE STANDARD MOUNT



THREE POLE UNIVERSAL MOUNT



GENERAL INFORMATION

The 30-AMP model is designed to save space and simplify mounting methods. The standard mounting bracket on the three pole model allows the unit to be mounted in standard 3" snap track channel. If you do not use snap track mounting, the standard three pole bracket has key hole slots for easy mounting in any panel arrangement. The universal three pole mounting bracket has various mounting holes and key hole slots to meet a variety of mounting centers.

The 30-AMP series is a more compact line with a well proven switch which is the heart of mercury relays. It is the same switch design that is in our 35 and 60-AMP encapsulated MDR's, which have withstood the test of time and millions of cycles in many different applications.

TYPICAL SPECIFICATIONS

- ON NORMALLY OPEN UNITS:
 OPERATE TIME: 50 milliseconds
 RELEASE TIME: 80 milliseconds
- CONTACT RESISTANCE:
 30-AMP=.003 ohm*
- DIELECTRIC WITHSTAND:
 2500 VAC RMS
- LONGEVITY:
 MILLIONS OF CYCLES
- TEMPERATURE RANGE:
 -35°C TO 85°C
- COIL TERMINALS:
 #6 BINDING HEAD SCREWS
- LOAD TERMINALS:
 #8 BINDING HEAD SCREWS
- UL LISTING: FILE #E62767
- C.S.A.: FILE #LR41198
- TO ORDER SEE PAGE 4

*AFTER CYCLING UNDER LOAD.



FILE #E-62767



FILE #LR 41198



Made in the USA

Catalog No.	Resistance	Current	V.A.	Watts
30NO-24D	180 Ω	133 mA	3.2	3.2
230NO-24D	131 Ω	188 mA	4.5	4.5
330NO-24D	73 Ω	329 mA	7.9	7.9
30NO-24A	28 Ω	316 mA	7.6	2.8
230NO-24A	12.5 Ω	610 mA	14.6	4.7
330NO-24A	7.6 Ω	815 mA	19.6	5.0
30NO-120A	725 Ω	65 mA	7.8	3.1
230NO-120A	317 Ω	118 mA	14.2	4.4
330NO-120A	210 Ω	163 mA	19.6	5.6
30NO-220A	3,150 Ω	27 mA	6.0	2.2
230NO-220A	1,300 Ω	56 mA	12.3	4.1
330NO-220A	728 Ω	86 mA	18.9	5.5