

# 35/60-AMP NORMALLY OPEN CONTACTORS



SINGLE POLE—NORMALLY OPEN



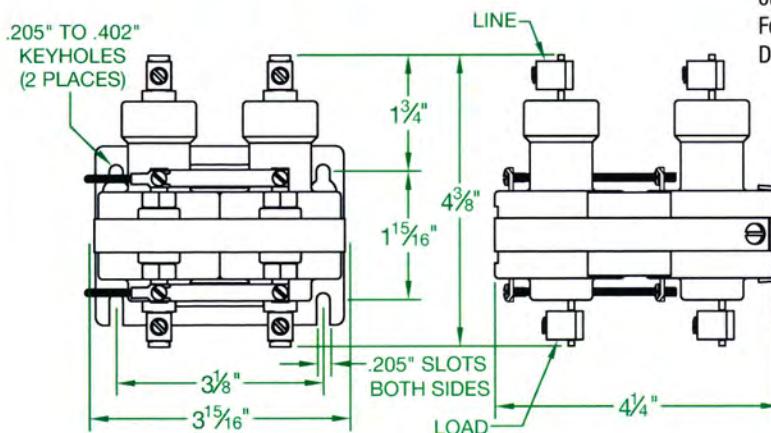
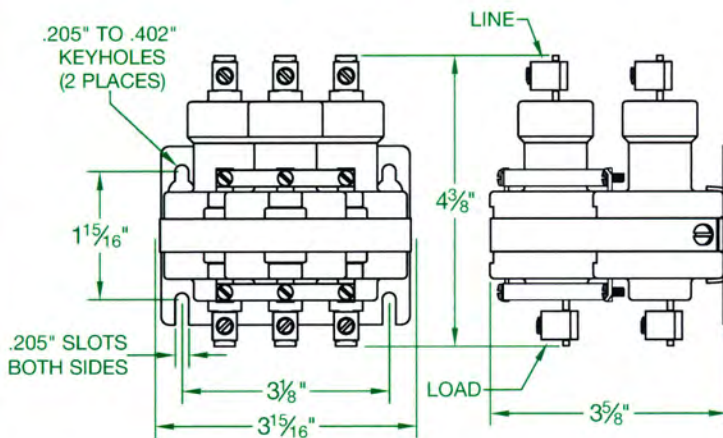
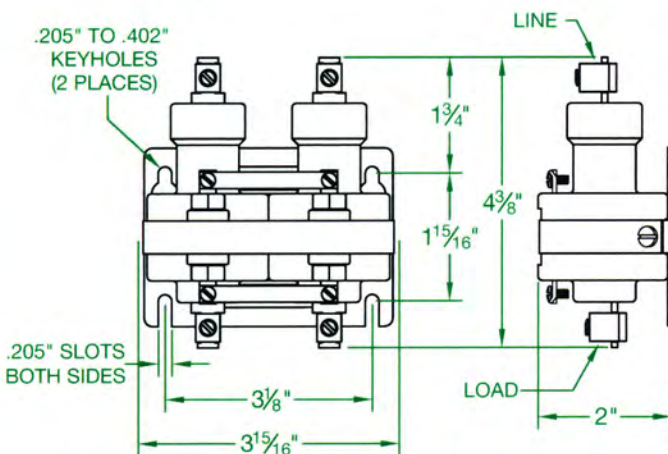
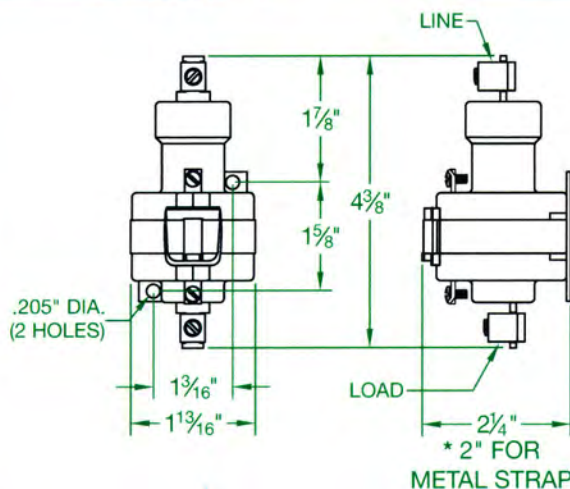
TWO POLE—NORMALLY OPEN



THREE POLE—NORMALLY OPEN



FOUR POLE—NORMALLY OPEN



## TYPICAL SPECIFICATIONS

- **NORMALLY OPEN UNITS:**  
OPERATE TIME: 50 milliseconds  
RELEASE TIME: 80 milliseconds
- **NORMALLY CLOSED UNITS:**  
OPERATE TIME: 30 milliseconds  
RELEASE TIME: 35 milliseconds
- **CONTACT RESISTANCE:**  
35-AMP = .003 ohm\*  
60-AMP = .002 ohm\*
- **TEMPERATURE RANGE:**  
-35°C to 85°C
- **COIL TERMINALS:**  
#6 WIRE BINDING SCREWS
- **LOAD TERMINALS:**  
PRESSURE CONNECTORS  
4 TO 14 AWG ON 35-AMP  
2 TO 8 AWG ON 60-AMP
- **RATINGS:**  
SEE PAGE 13 FOR COIL DATA  
SEE PAGE 14 FOR RATINGS
- **UL LISTING:** FILE #E-62767 FOR
- **C.S.A.:** FILE # LR 41198 FOR
- **TO ORDER SEE PAGE 4**

\* AFTER CYCLING UNDER LOAD

Made in the USA

## TRAFFIC CONTROL (CONSTANT DUTY)

- SP-1132- VOLTAGE- (A or D)  
35 AMPS @ 600 VAC
- SP-1130- VOLTAGE- (A or D)  
60 AMPS @ 480 VAC

A return spring replaces the buffer spring for this application

## HAZARDOUS LOCATIONS SUFFIX "X"

Available in 1, 2 & 3 Pole Units  
Auxiliary devices for use in hazardous locations  
For CLASS 1, GROUPS A, B, C, & D - Division 2 only.