

35/60-AMP NORMALLY OPEN CONTACTORS



SINGLE POLE—NORMALLY OPEN



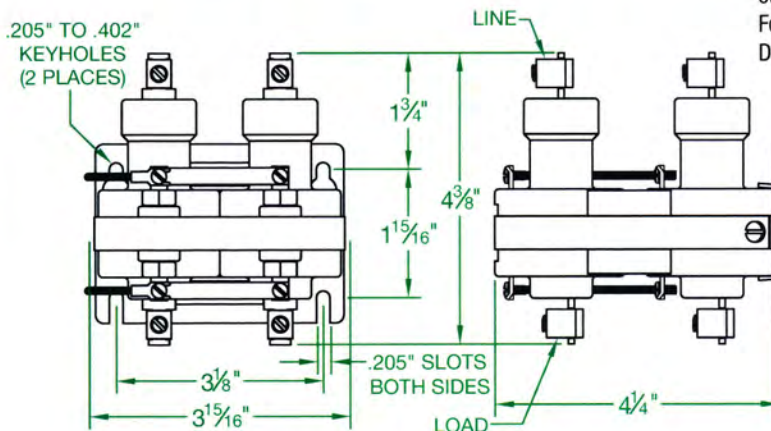
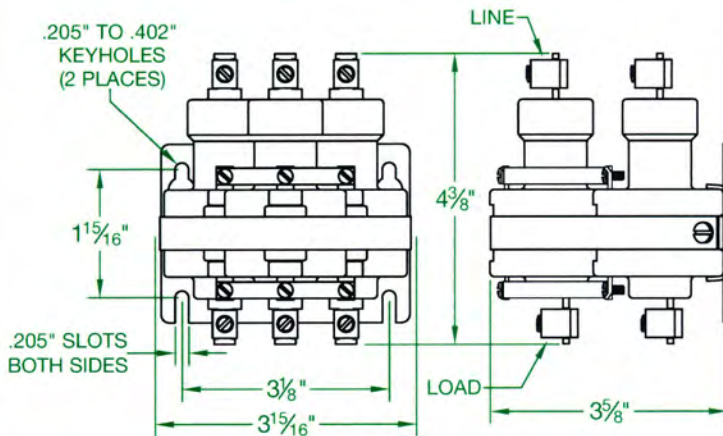
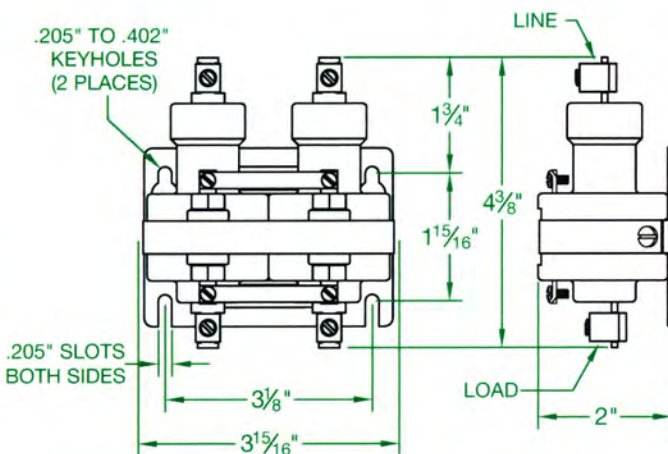
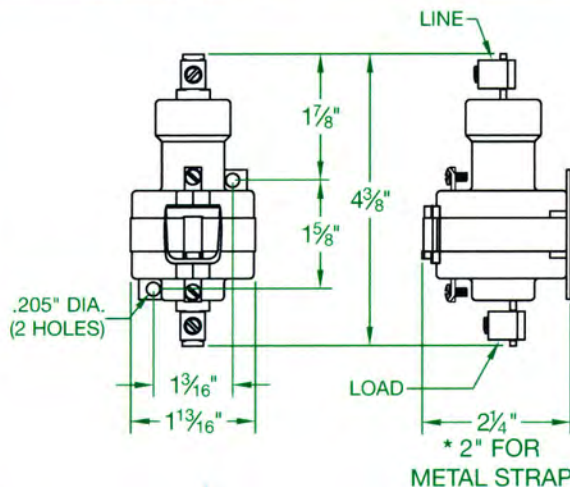
TWO POLE—NORMALLY OPEN



THREE POLE—NORMALLY OPEN



FOUR POLE—NORMALLY OPEN



FILE #E-62767 FILE #LR 41198

TYPICAL SPECIFICATIONS

- **NORMALLY OPEN UNITS:**
OPERATE TIME: 50 milliseconds
RELEASE TIME: 80 milliseconds
- **NORMALLY CLOSED UNITS:**
OPERATE TIME: 30 milliseconds
RELEASE TIME: 35 milliseconds
- **CONTACT RESISTANCE:**
35-AMP = .003 ohm*
60-AMP = .002 ohm*
- **TEMPERATURE RANGE:**
-35°C to 85°C
- **COIL TERMINALS:**
#6 WIRE BINDING SCREWS
- **LOAD TERMINALS:**
PRESSURE CONNECTORS
4 TO 14 AWG ON 35-AMP
2 TO 8 AWG ON 60-AMP
- **RATINGS:**
SEE PAGE 13 FOR COIL DATA
SEE PAGE 14 FOR RATINGS
- **UL LISTING:** FILE #E-62767 FOR
- **C.S.A.:** FILE # LR 41198 FOR
- **TO ORDER SEE PAGE 4**

* AFTER CYCLING UNDER LOAD

Made in the USA

TRAFFIC CONTROL (CONSTANT DUTY)
 SP-1132- VOLTAGE- (A or D)
 35 AMPS @ 600 VAC
 SP-1130- VOLTAGE- (A or D)
 60 AMPS @ 480 VAC
 A return spring replaces the buffer spring for this application

HAZARDOUS LOCATIONS SUFFIX "X"
 Available in 1, 2 & 3 Pole Units
 Auxiliary devices for use in hazardous locations
 For CLASS 1, GROUPS A, B, C, & D - Division 2 only.