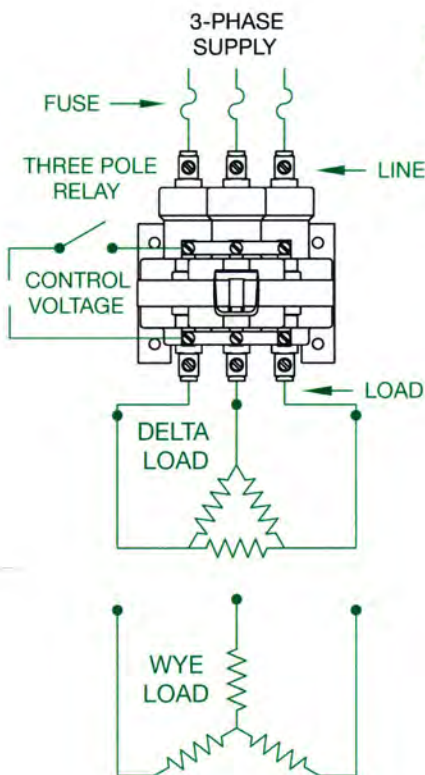
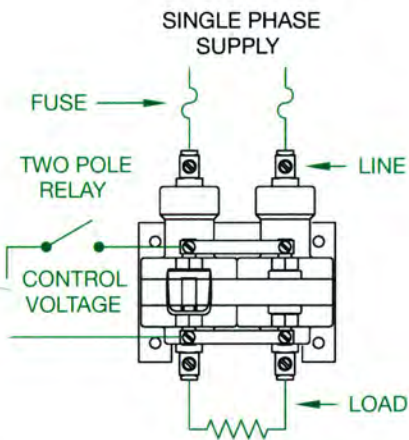
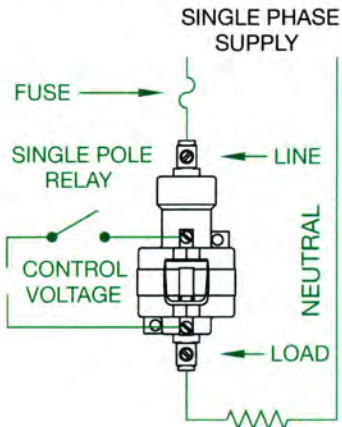
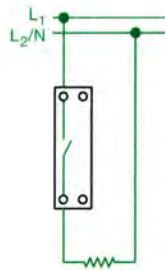


MERCURY CONTACTORS

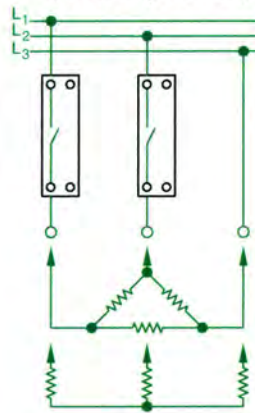


SOLID STATE

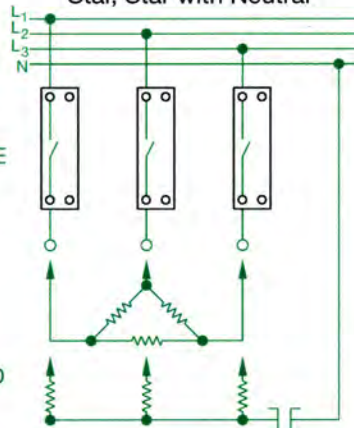
Single pole relay application
Line-Neutral, Line-Line



2 Single Pole Relays in
3-Phase application
Delta and Star Connection
(Economy Switch)



3 Single Pole Relays in
3-Phase Application Delta,
Star, Star with Neutral



Proper Fusing is Required

1. While MDI Mercury contactors handle high inrush, such as lamps, mercury contactors are susceptible to damage by short circuit currents, and should be fused to minimize short circuit fault currents. UL class RK-1 and class J fuses and semiconductor I²t fuses more effectively protect relays. These are low current-peak fuses designed to limit short circuit currents. Regardless, when there is a short circuit, relay operations should be closely monitored afterward because of the possibility of concealed damage that could cause the relays to behave inconsistently.
2. For sizing of relay see below
3. For data on standard coils see pages 5, 6, 11, & 13.
4. MDI RELAYS must mount vertically, ±10°.
5. Control line can be protected with metal oxide varistors (MOV). Use suffix -11.
6. Disconnect power before installing or servicing. Observe all electrical and safety codes and ordinances such as national electric code (NEC) and the occupational safety and health act (OSHA).

-RECOMMENDED-

Solid State Relays
Please see our web page!
<https://www.mdious.com>
or call
(800) 634-4077

Mercury Relays
250 VOLT 600 VOLT
KTN-R KTS-R
JJN/A3T JJS
JKS/A4J
KTK-R

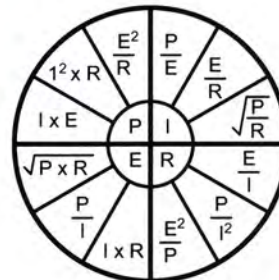
SIZING RELAY

To find AMPS per pole
3 Ø Balanced Heater loads
$$\text{AMPS per pole} = \frac{\text{KW} \times 1,000}{\text{VOLTS} \times 1.732}$$

Or multiply the kilowatts times the appropriate factor

3 Ø AC FACTORS

208 V	2.776
220 V	2.624
240 V	2.406
277 V	2.084
480 V	1.203
600 V	0.962



TORQUE SPECIFICATIONS

- For coils 8 in. Lb. max.
- For line and load terminals see ratings labels.

MOV CHART

FOR	SIEMENS	HARRIS	C.K.E.	M.D.I.
24 VOLTS	S14K30	V47ZA7	-	PM-567-5
120 VOLTS	S20K130	V150LA20B	Z150LA20B	PM-567-1
220 VOLTS	S20K275	V275LA40B	Z275LA40B	PM-567-2
277 VOLTS	S20K385	V320LA20B	Z320LA20B	PM-567-3