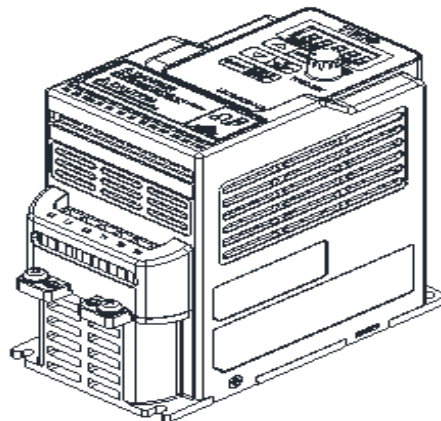
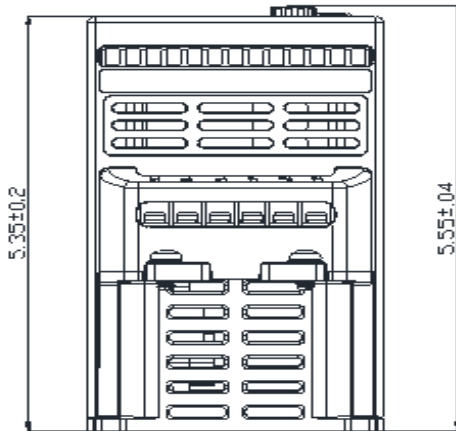
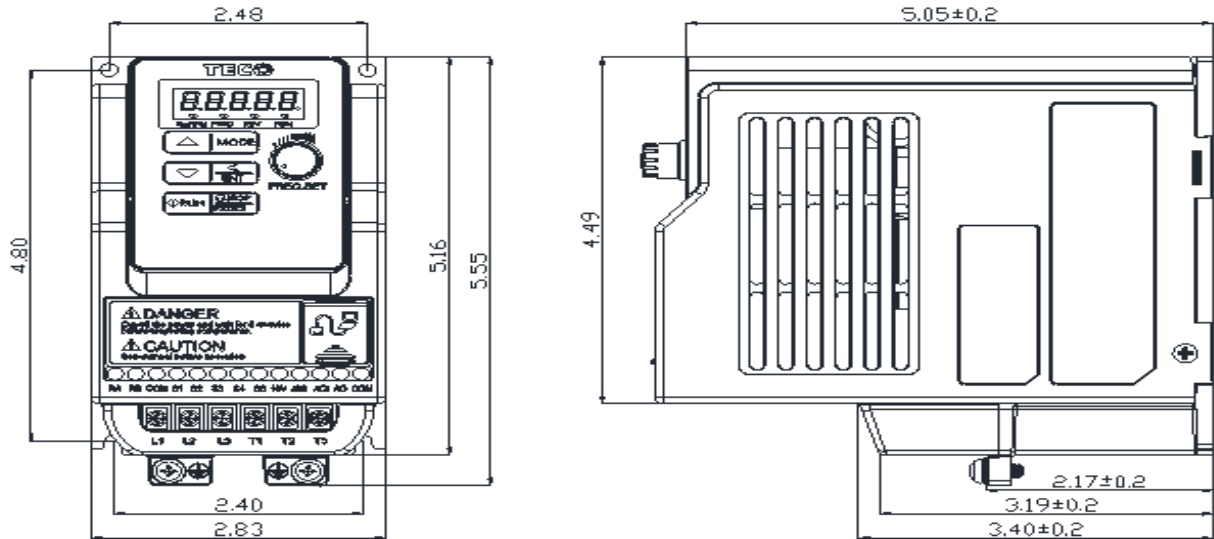




GENERAL DATASHEET VARIABLE SPEED DRIVE

Series L510		MODEL# L510-201-H1-U		
ISSUED 3/16/2017		ENCLOSURE/ FRAME Chassis (IP20/00)/ F2		
INPUT AMPS HD (CT)		AC INPUT VOLTAGE	AC INPUT FREQUENCY	AC INPUT PHASE
11		230	50/60	1
OUTPUT HP HD (CT)	OUTPUT AMPS HD (CT)	AC OUTPUT VOLTAGE	AC OUTPUT FREQUENCY	AC OUTPUT PHASE
1	4.3	0-230	0-599	3



Approved By:	Brian Smith	Drawing No:	L510-230-201-F1	Revision: 0
--------------	-------------	-------------	-----------------	-------------