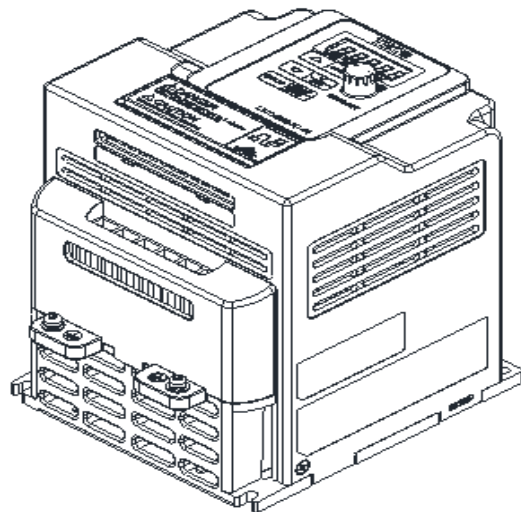
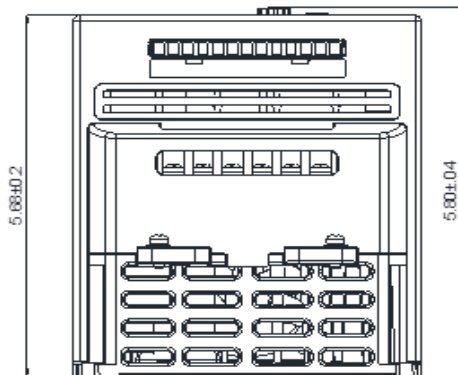
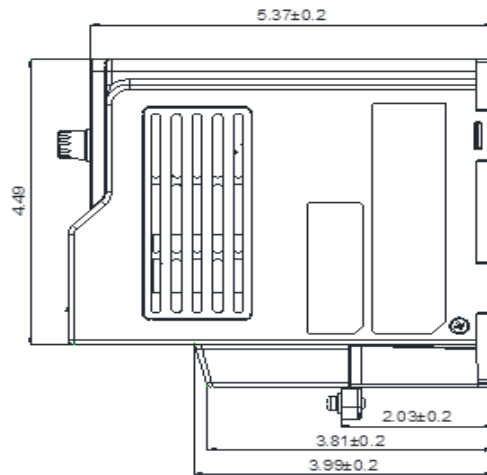
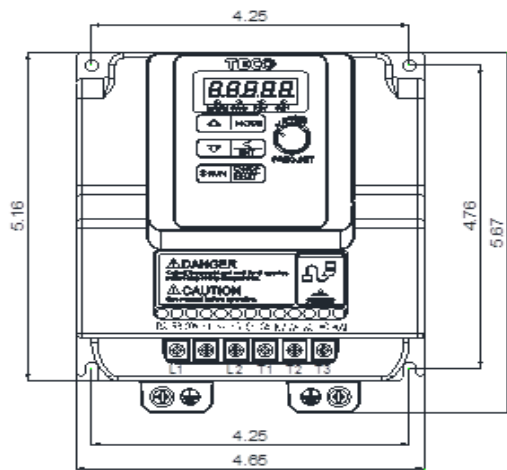




GENERAL DATASHEET VARIABLE SPEED DRIVE

| | | | | |
|--------------------------------------|--------------------------------------|--|-------------------------------------|-----------------------------|
| Series L510 | | MODEL# L510-202-H1-U | | |
| ISSUED 3/16/2017 | | ENCLOSURE/ FRAME Chassis (IP20/00)/ F2 | | |
| INPUT AMPS HD (CT) 15.5 | | AC INPUT VOLTAGE 230 | AC INPUT FREQUENCY 50/60 | AC INPUT PHASE 1 |
| OUTPUT HP HD (CT) 2 | OUTPUT AMPS HD (CT) 7.5 | AC OUTPUT VOLTAGE 0-230 | AC OUTPUT FREQUENCY 0-599 | AC OUTPUT PHASE 3 |



| | | | | |
|--------------|-------------|-------------|-----------------|-------------|
| Approved By: | Brian Smith | Drawing No: | L510-230-002-F2 | Revision: 0 |
|--------------|-------------|-------------|-----------------|-------------|