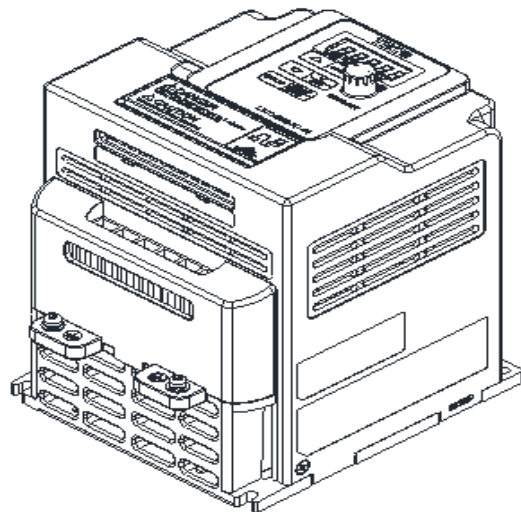
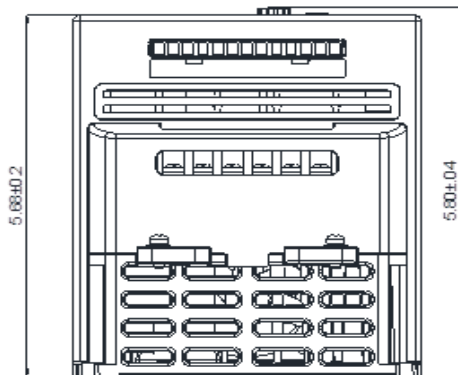
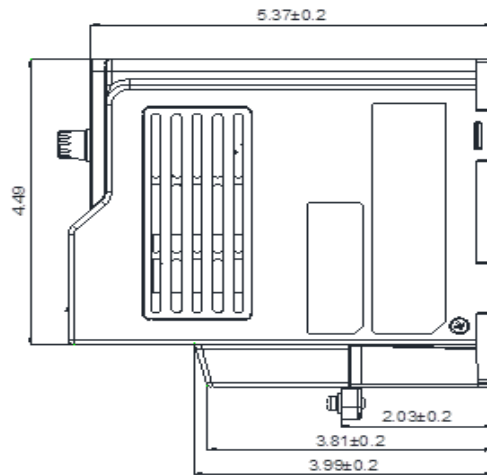
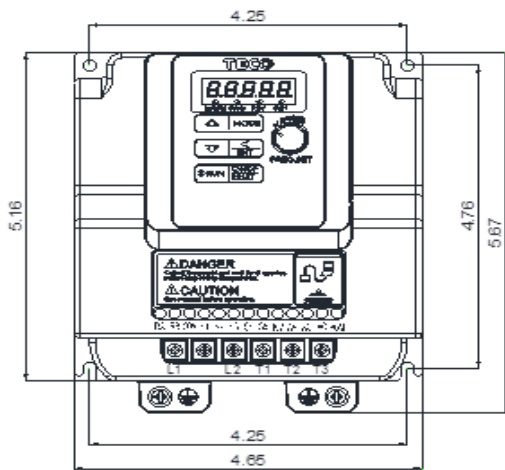




## GENERAL DATASHEET VARIABLE SPEED DRIVE

Series <b>L510</b>		MODEL# <b>L510-403-H3-U</b>	
ISSUED <b>3/16/2017</b>		ENCLOSURE/ FRAME <b>Chassis (IP20/00)/ F2</b>	
INPUT AMPS HD (CT) <b>7.3</b>		AC INPUT VOLTAGE <b>460</b>	AC INPUT FREQUENCY <b>50/60</b>
AC INPUT PHASE <b>3</b>			
OUTPUT HP HD (CT) <b>3</b>	OUTPUT AMPS HD (CT) <b>5.2</b>	AC OUTPUT VOLTAGE <b>0-460</b>	AC OUTPUT FREQUENCY <b>0-599</b>
		AC OUTPUT PHASE <b>3</b>	



Approved By:	Brian Smith	Drawing No:	L510-460-003-F2	Revision: 0
--------------	-------------	-------------	-----------------	-------------