

Solid State Relays PCB, 1-Phase ZS Types RAP 40 A ., RAP 48 A .



- AC Solid State Relay for PCB mounting
- Zero switching
- Rated operational current: 3 or 5 AACrms
- Non-repetitive voltage: Up to 1200 Vp
- Rated operational voltage: Up to 480 VACrms
- Input range: 3.5 to 40 VDC
4.5 to 40 VDC
- Insulation: OPTO (input-output) 4000 VACrms
- LED status indication
- Low off-state leakage current
- High surge ratings

Product Description

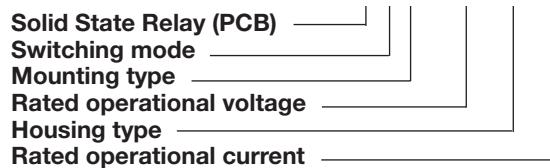
The RAP-series from Carlo Gavazzi is a Solid State Relay family for socket- or PCB-mounting. With built-in LED status indication for control input, the relay is an ideal interface between PLC's or other logic controls and load. The new housing design and packing allows automatic insertion and soldering.

The relay has been designed to switch inductive or resistive loads as long as enough attention is paid to the specifications stated in this data

sheet, e.g. max. current, ambient temperature etc.

Optotriacs for galvanic separation together with alternistors as output devices give the most advanced performance. Additional snubbers are no longer necessary. The zero switching relay also works with inductive loads due to its high surge capability. An internal heatsink optimizes the thermal resistance between chip and ambient, thereby increasing the lifetime of the relay.

Ordering Key **RAP 48 A 5**



Type Selection

Switching mode	Rated operational voltage	Rated operational current	Control voltage
A: Zero switching	40: 400 VACrms 48: 480 VACrms	3: 3 AACrms 5: 5 AACrms	3.5 to 40 VDC 4.5 to 40 VDC

Selection Guide

Rated operational voltage	Control voltage	Rated operational current 3 AACrms	5 AACrms
400 VACrms	3.5 to 40 VDC	RAP 40 A 3	RAP 40 A 5
480 VACrms	4.5 to 40 VDC	RAP 48 A 3	RAP 48 A 5

General Specifications

	RAP 40 A .	RAP 48 A .
Operational voltage range	10 to 440 VACrms	20 to 530 VACrms
Non-rep. peak voltage	≥ 1000 V _p	≥ 1200 V _p
Zero voltage turn-on	≤ 20 V	≤ 40 V
Operational frequency range	45 to 65 Hz	45 to 65 Hz
Power factor	≤ 0.2	≤ 0.2
Approvals	UL, CSA, VDE	UL, CSA, VDE

Input Specifications

	RAP 40 A .	RAP 48 A .
Control voltage range	3.5 to 40 VDC	4.5 to 40 VDC
Pick-up voltage	≤ 3.5 VDC	≤ 4.5 VDC
Drop-out voltage	≥ 1 VDC	≥ 2 VDC
Reverse voltage	≤ 6 VDC	≤ 6 VDC
Response time pick-up	$\leq 1/2$ cycle	$\leq 1/2$ cycle
Response time drop-out	$\leq 1/2$ cycle	$\leq 1/2$ cycle
Input current (through current limiter)	≤ 12 mA	≤ 12 mA

Output Specifications

	RAP 4. A 3	RAP 4. A 5
Rated operational current AC 1 AC 3	3 Arms 2.5 Arms	5 Arms 3 Arms
Minimum operational current	20 mArms	20 mArms
Rep. overload current $t=1$ s	≤ 6 A _p	≤ 12 A _p
Non-rep. surge current $t=20$ ms	60 A _p	90 A _p
Off-state leakage current @ rated voltage, frequency	≤ 1 mArms	≤ 1 mArms
I ² t for fusing $t=1-10$ ms	≤ 18 A ² s	≤ 40 A ² s
Critical di/dt	≥ 20 A/ms	≥ 20 A/ms
On-state voltage drop @ rated current	≤ 1.2 Vrms	≤ 1.2 Vrms
Critical dV/dt commutating	≥ 100 V/ms	≥ 100 V/ms
Critical dV/dt off-state	≥ 100 V/ms	≥ 100 V/ms

Thermal Specifications

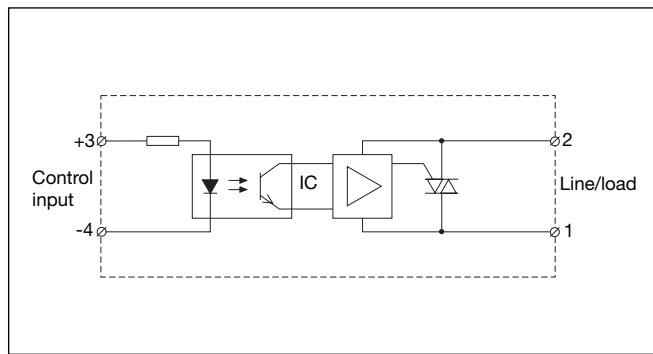
	RAP 4. A 3	RAP 4. A 5
Operating temperature	-40 to +60°C (-40 to +140°F)	-40 to +60°C (-40 to +140°F)
Storage temperature	-40 to +80°C (-40 to +176°F)	-40 to +80°C (-40 to +176°F)
Junction temperature	$\leq 125^{\circ}\text{C}$ (257°F)	$\leq 125^{\circ}\text{C}$ (257°F)
R _{th} junction-case	≤ 20.5 K/W	≤ 15.6 K/W
R _{th} junction to ambient	≤ 33 K/W	≤ 21 K/W

Insulation Input - Output

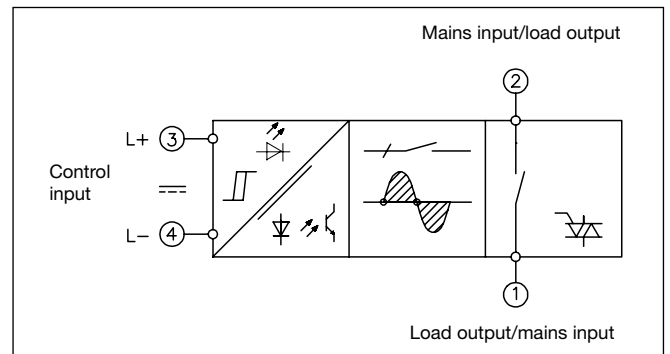
Rated insulation voltage	≥ 4000 VACrms
Insulation resistance	$\geq 10^{10}$ Ω
Insulation capacitance	≤ 8 pF
Reference voltage according to VDE 01 10 B Insulation group C	500 VACrms, 600 VDC



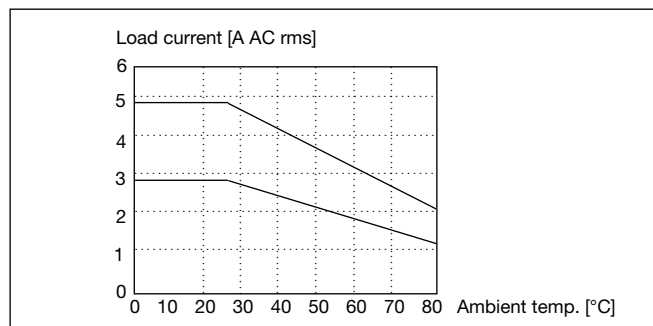
Wiring Diagram



Functional Diagram



Derating Curve



Applications

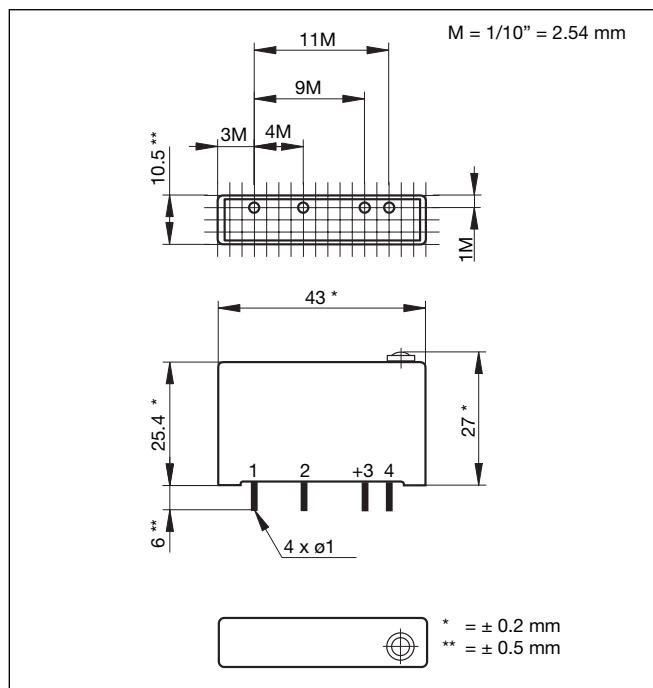
These relays can be used vertically. If more than one switch heaters, motors, lights, valves or solenoids. When used at full load current, the relays must be placed

vertically. If more than one relay is mounted, please allow a minimum distance of 20 mm in between for sufficient air cooling.

Accessories

Varistors
Fuses
For further information refer to "General Accessories".

Dimensions



Housing Specifications

Weight	Approx. 10 g
Housing material	Noryl GFN 1, black
Terminals	Copper, tin-plated
Potting compound	Flame-retardant polyurethane